

HONSOAR[®]

HONSOAR INTERNATIONAL



KITCHEN GUIDEBOOK

Welcome to HONSOAR Home

Design, Craftmanship, Service, and Responsibility. HONSOAR has been committed to construct a more innovative kitchen culture since 2004, and continues to create world-class high-end cabinets. Every piece of work is built upon those four fundamental beliefs.

Every piece of work, designed and produced by HONSOAR, stands for our core values of design, craftsmanship, service, and responsibility. We started from a factory only producing melamine impregnated paper, and now have grown to be an international household products enterprise, who has the whole industry chain of base material including particle board, MDF, and plywood, decorative surfaces including melamine paper, impregnated paper, and edge banding, as well as the finished cabinet products such as wardrobe and cabinets. Also, HONSOAR has been involved in research, manufacturing, sales, technical guidance, supporting materials import and export trade (base material, printing ink and additives). It has established production factories and operation service centers in China, Malaysia, Indonesia and the United States. HONSOAR has formed a global production, supply, marketing and technical guidance service system, covering 71 countries and regions around the world.

In the process of HONSOAR's growth and development, with a portfolio of award-winning designs, a variety of unique support services, a team of nationally recognized vendor partners, we are committed to serve global cabinet enterprises, building, decoration materials. It has always been the goal to research and develop products to the customer's culture combination. HONSOAR's goal is to increase cultural brand and technology innovation elements of our production to reflect consumer life attitude, and to integrate the whole house customization.

HONSOAR continues to perfect the art and business of the whole house customization by building intelligent, beautiful, functional, and residential household cabinets for you. We'll make the experience transparent and manageable, so you can arrive at the home of your dreams, with less stress, more assurance, and always in less time and more affordable. Based on this, we have created our own product research institute and commercial college, equipped with all kinds of testing laboratory facilities and professional research and development institutions. The world famous brands, industry associations, surrounding the display terminal cabinet, particularly in the United States market and Europe type cabinet, pay attention to the base material when choosing a design of decorative surface; which cooperates with Germany IMPRESS to research and manufacture together. The design team is mainly from Europe, and integrates the advanced technologies of many countries. At present, we have designed more than 2000 colors, more than 4000 door panels, and acquired more than 50 patents. The product advantage lies in the accurate positioning and the matching of each detail.

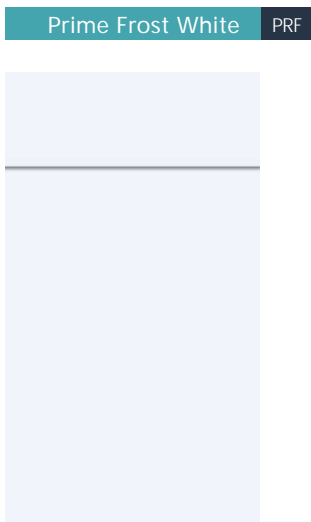
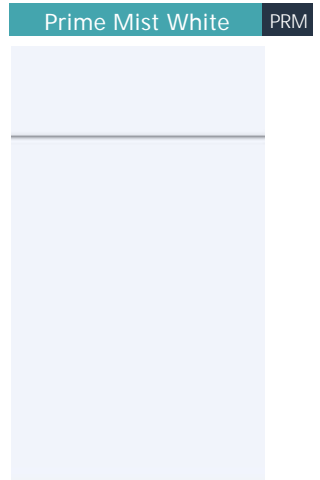
Our first goal is to inspire you. Beginning here, with this book you will have the opportunity to walk through one of our production factories. In HONSOAR, our designers can quickly and efficiently provide customers with comprehensive and accurate services to help you make the right choices to help make your home even more beautiful.

When you are ready to build a home of your dreams exactly the way you want it to, HONSOAR will provide you a spectacular experience, from start to finish. We invite you to experience HONSOAR yourself.

HONSOAR[®]

Design. Craftsmanship. Service. Responsibility

Door Finish



There is chromatic aberration between products and printing. Pls based on the actual products .

Door Finish



slate grey shaker

SS



Grey shaker

SG



White shaker

SW



Morden Oak

MO

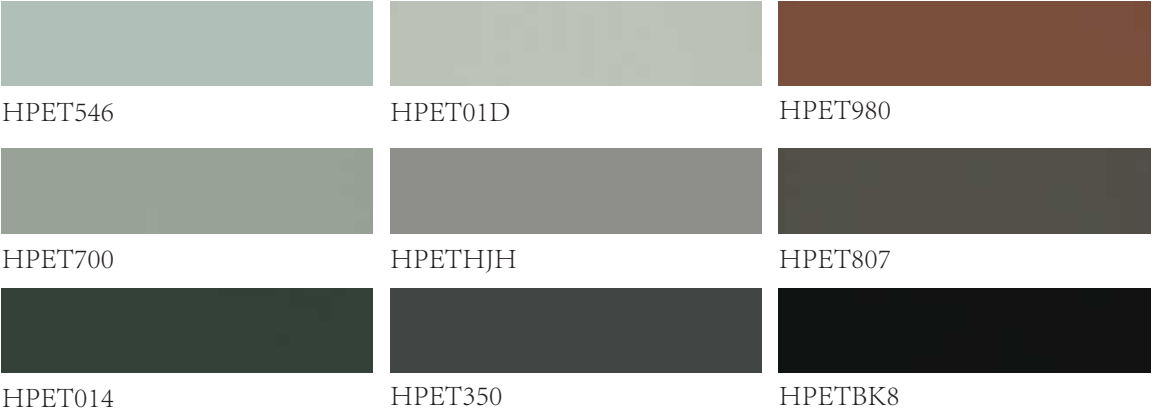


Arcadia Golden Walnut

AGW

There is chromatic aberration between products and printing. Pls based on the actual products .

PET Color



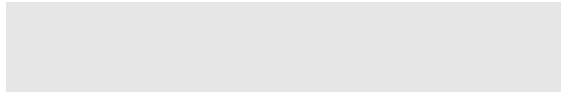
Melamine Color



VENICE



Melamine Color



ASH

WARM WHITE



SENIOR ASH



WINE RED



MYSTERIOUS GREY



TEA RED



BLACK



CHARM PURPLE



ORINOCO ASH



CIGAR OAK



BUNRATTY OAK



AMERICAN OAK



IRELAND OAK



PECAN



KILLARNEY OAK



VANILLA OAK



NORTH AMERICAN MAPLE

Melamine Color



VERBANIA WALNUT



PIQUE



NORMAN ASH



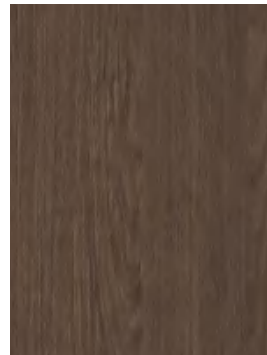
ROYAL WALNUT



HONDURAS ASH



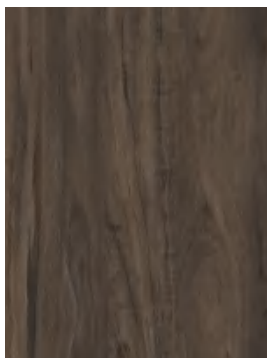
H1463-2



CARAMEL TEAK



CIGAR WALNUT



CLASSIC SANDERS



CLASSICAL WOOD



DESIRA ASH



ENGINEER WOOD



NOCE URBINO



SMOKED WALNUT



TORTONA OAK

PVC Color



HSF10014-28PC



HWF43905-772PC



HWF56302-22PC



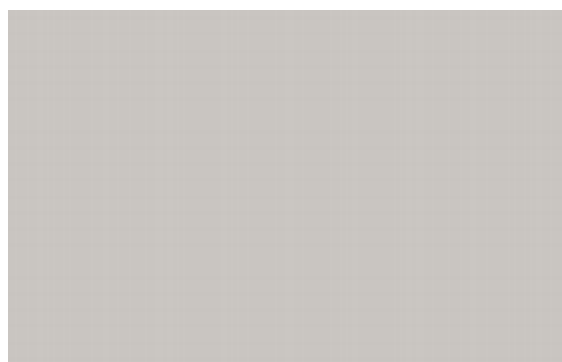
HWF15110-16PC



HWF15161-27PC



HWF11722-778PC



HF6964-802-U2



HF9228-802A-P



HMW103038-908



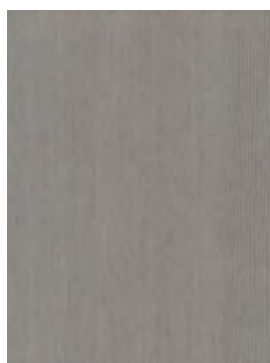
HFC2118-805



HFC3315-9032



HFO1020-908



HFO160001-921-P7



HF0828-819



HF0911-986

PVC Color



HFW9864-9023



HFW154001-6105-SX



HFY0414-9005



HFY0412-906



HFY2704-990



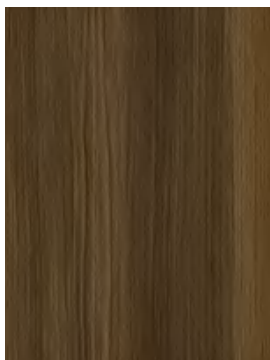
HMO0561-988



HMW103019-988



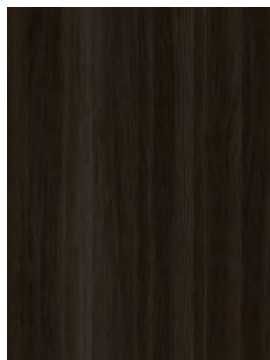
HMQ3226-7006



HMY3901-9026



HMQ3464-921



HMO4219-903

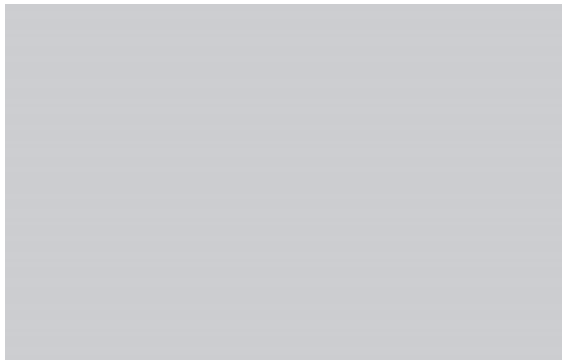


HMO3443-988



HFK1235-988

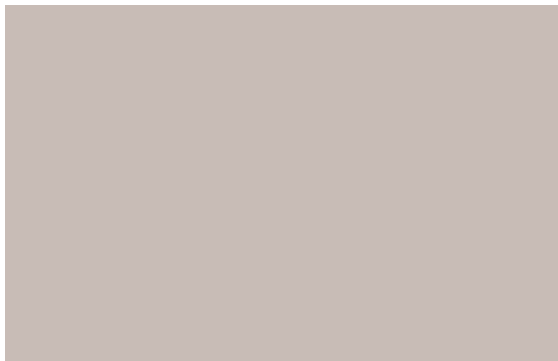
PVC Color



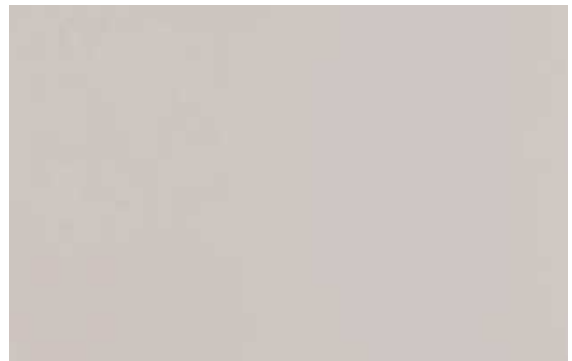
HD9575-802



HD9699-001



HD9227-802A-P



HD9197-001



HFY0411-9005



HD00548-913



HDW9006-984-R

FACTORY DIRECT FRAMELESS CABINETS

- PLYWOOD/PARTICLE BOARD CONSTRUCTION
- SOFT CLOSE DOORS & DRAWERS
- FACTORY BUILT TO ORDER
- OEM IS AVAILABLE FOR ANY COLOR AND CONSTRUCTION

L SEIRES STOCK



- * WHITE COLOR CABINET BOX
- * WHITE METAL DRAWER BOX

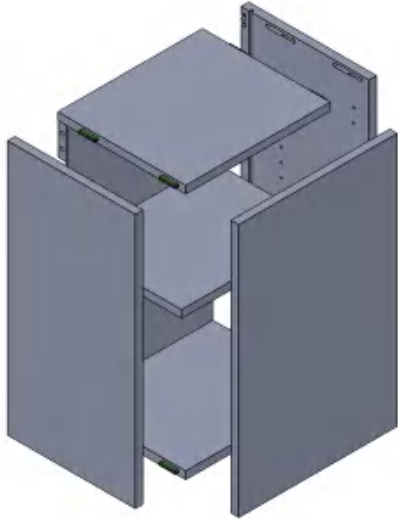
P SEIRES STOCK



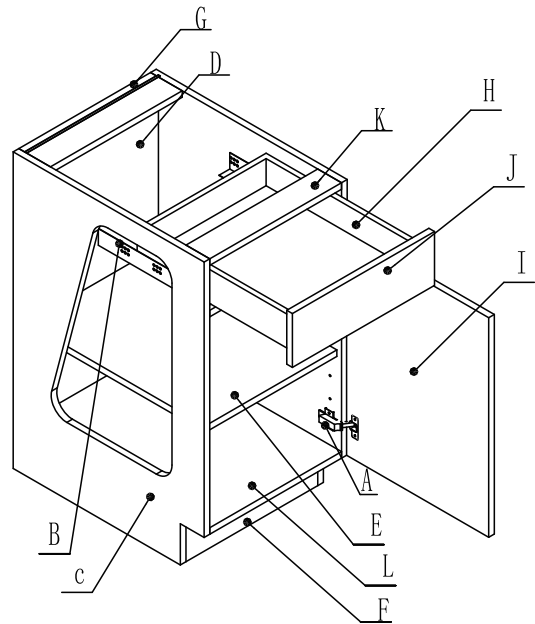
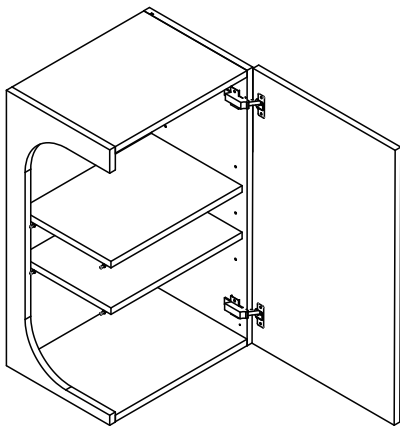
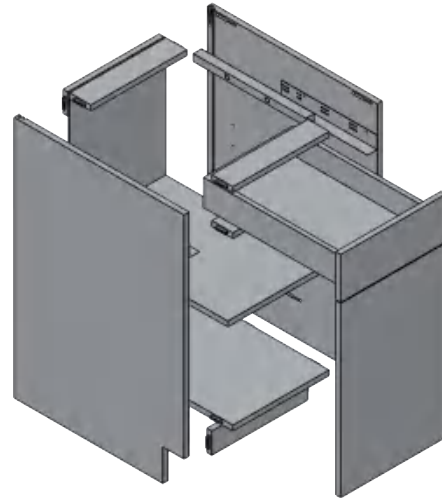
- * NATRUAL COLOR CABINET BOX
- * NATRUAL COLOR DOVETAIL DRAWER BOX

FACTORY DIRECT FRAMELESS CABINETS

WALL CABINET



BASE CABINET



- A: 110° soft close hinge
- B: undermount soft close slide rail
- C: 3/4" side panel
- D: 1/4" back panel
- E: 3/4" depth or full depth shelf
- F: 3/4" X4 1/2" Toe kick

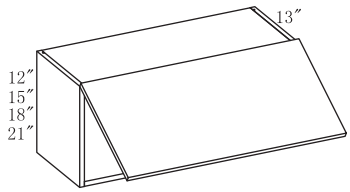
- G: 3/4" x 3" strengthen panel
- H: dovetail drawer Box
- I: 3/4" door panel
- J: 3/4" drawer front
- K: 3/4" X3" strengthen panel
- L: 3/4" Bottom Panel

KITCHEN CABINET

CABINET SPECIFICATION

DIMENSION

WALL SINGLE LIFT UP CABINET

	Item Code	W" × H" × D"	NOTE
	W2412LU	24 × 12 × 13	
	W3012LU	30 × 12 × 13	
	W3612LU	36 × 12 × 13	
	W2415LU	24 × 15 × 13	
	W3015LU	30 × 15 × 13	
	W3615LU	36 × 15 × 13	
	W3018LU	30 × 18 × 13	
	W3618LU	36 × 18 × 13	
	W3021LU	30 × 21 × 13	
	W3621LU	36 × 21 × 13	

LU01

LU02



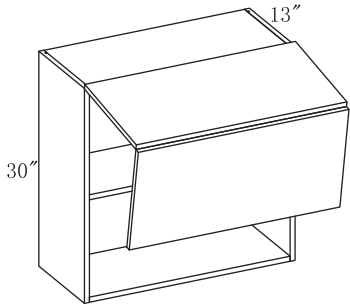
LU03

glass door



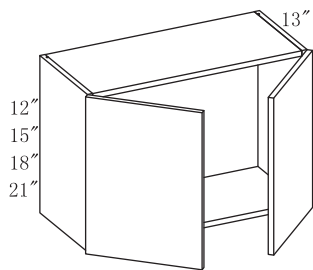
- 1.Price of lift-up mechanisms excluded;
- 2.Door panel can be optional with aluminum frame door

WALL DOUBLE LIFT UP CABINET

	Item Code	W" × H" × D"	NOTE
	WBF2430	24 × 30 × 13	
	WBF2730	27 × 30 × 13	
	WBF3030	30 × 30 × 13	
	WBF3630	36 × 30 × 13	

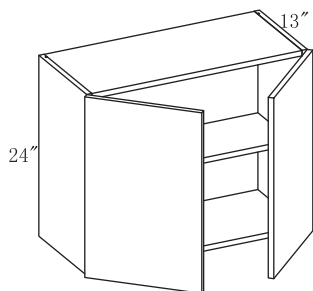
1. 1 adjustable shelf
- 2.bi-fold lift up mechanism

WALL CABINET



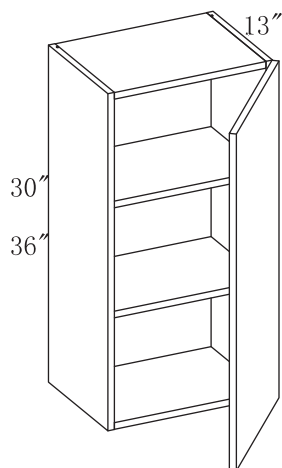
Item Code	W" × H" × D"	NOTE
W3012	30 × 12 × 13	
W3612	36 × 12 × 13	
W3015	30 × 15 × 13	
W3615	36 × 15 × 13	
W3018	30 × 18 × 13	
W3618	36 × 18 × 13	
W3021	30 × 21 × 13	
W3621	36 × 21 × 13	

WALL CABINET



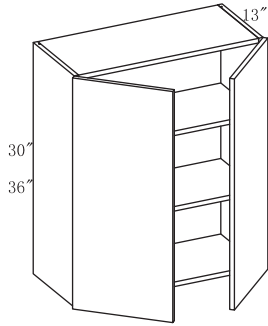
Item Code	W" × H" × D"	NOTE
W3024	30 × 24 × 13	
W3624	36 × 24 × 13	

WALL CABINET



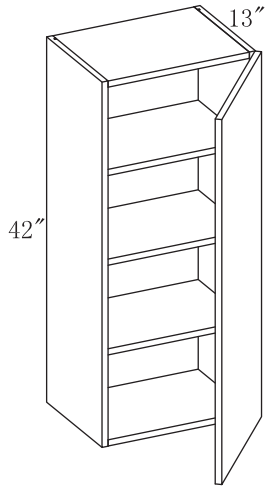
Item Code	W" × H" × D"	NOTE
W0930	9 × 30 × 13	
W1230	12 × 30 × 13	
W1530	15 × 30 × 13	
W1830	18 × 30 × 13	
W2130	21 × 30 × 13	
W0936	9 × 36 × 13	
W1236	12 × 36 × 13	
W1536	15 × 36 × 13	
W1836	18 × 36 × 13	
W2136	21 × 36 × 13	

WALL CABINET



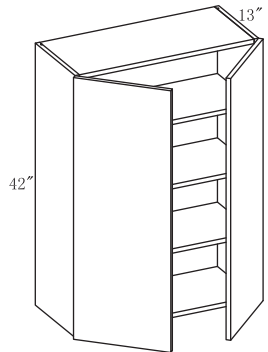
Item Code	W" × H" × D"	NOTE
W2430	24 × 30 × 13	
W2730	27 × 30 × 13	
W3030	30 × 30 × 13	
W3330	33 × 30 × 13	
W3630	36 × 30 × 13	
W2436	24 × 36 × 13	
W2736	27 × 36 × 13	
W3036	30 × 36 × 13	
W3336	33 × 36 × 13	
W3636	36 × 36 × 13	

WALL CABINET

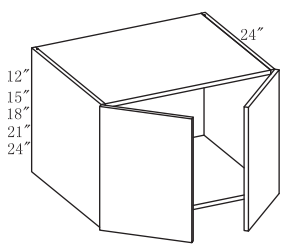
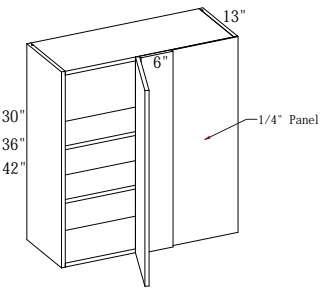
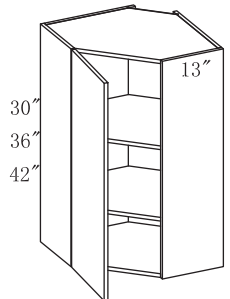
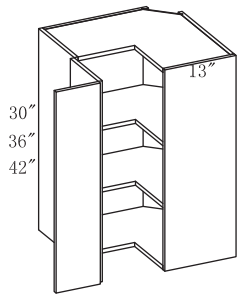


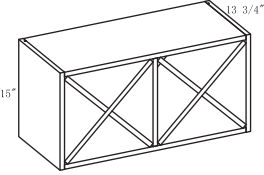
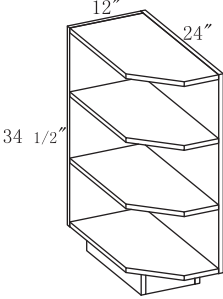
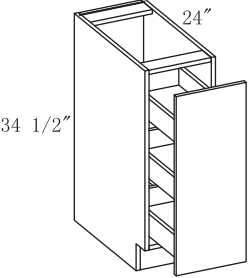
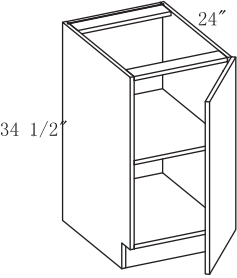
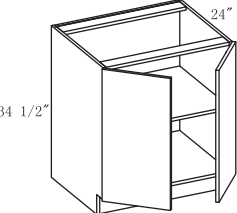
Item Code	W" × H" × D"	NOTE
W0942	9 × 42 × 13	
W1242	12 × 42 × 13	
W1542	15 × 42 × 13	
W1842	18 × 42 × 13	
W2142	21 × 42 × 13	

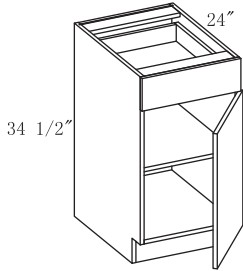
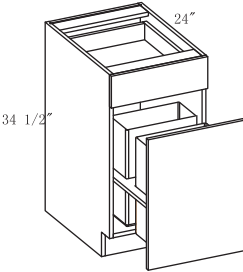
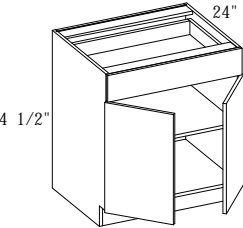
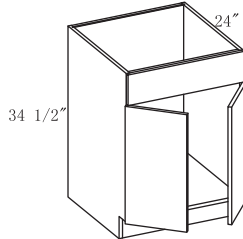
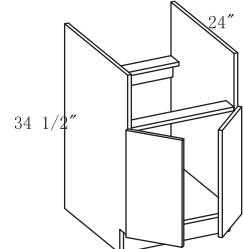
WALL CABINET



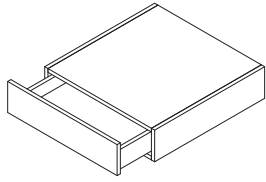
Item Code	W" × H" × D"	NOTE
W2442	24 × 42 × 13	
W2742	27 × 42 × 13	
W3042	30 × 42 × 13	
W3342	33 × 42 × 13	
W3642	36 × 42 × 13	

WALL CABINET			
	Item Code	W" × H" × D"	NOTE
	W301224	30 × 12 × 24	
	W361224	36 × 12 × 24	
	W301524	30 × 15 × 24	
	W361524	36 × 15 × 24	
	W301824	30 × 18 × 24	
	W361824	36 × 18 × 24	
	W302124	30 × 21 × 24	
	W362124	36 × 21 × 24	
	W302424	30 × 24 × 24	
	W362424	36 × 24 × 24	
	1 adjustable shelf for 24" H		
BLIND WALL CABINET			
	Item Code	W" × H" × D"	NOTE
	WBC3030	30 × 30 × 13	
	WBC3036	30 × 36 × 13	
	WBC3042	30 × 42 × 13	
3 adjustable shelves for 42" H			
DIAGONAL CORNER WALL CABINET			
	Item Code	W" × H" × D"	NOTE
	WDC2430	24 × 30 × 13	
	WDC2436	24 × 36 × 13	
	WDC2442	24 × 42 × 13	
3 adjustable shelves for 42" H			
WALL EASY REACH Cabinet			
	Item Code	W" × H" × D"	NOTE
	WER2430	24 × 30 × 13	
	WER2436	24 × 36 × 13	
	WER2442	24 × 42 × 13	
3 adjustable shelves for 42" H			

WINE RACK CABINET			
	Item Code	W" × H" × D"	NOTE
	WR3015	30 X 15 X 13 3/4	
BASE END SHELF CABINET			
	Item Code	W" × H" × D"	NOTE
	BES12R/L	12 × 34 1/2 × 24	
	available color for all doors		
BASE SPICE CABINET			
	Item Code	W" × H" × D"	NOTE
	BSR06	6 × 34 1/2 × 24	
	BSR09	9 × 34 1/2 × 24	
	BSR12	12 × 34 1/2 × 24	
	spice rack option ①wooden ②metal		
FULL DOOR BASE CABINET			
	Item Code	W" × H" × D"	NOTE
	B09FD	09 × 34 1/2 × 24	
	B12FD	12 × 34 1/2 × 24	
	B15FD	15 × 34 1/2 × 24	
	B18FD	18 × 34 1/2 × 24	
	B21FD	21 × 34 1/2 × 24	
FULL DOOR BASE CABINET			
	Item Code	W" × H" × D"	NOTE
	B24FD	24 × 34 1/2 × 24	
	B27FD	27 × 34 1/2 × 24	
	B30FD	30 × 34 1/2 × 24	
	B33FD	33 × 34 1/2 × 24	
	B36FD	36 × 34 1/2 × 24	

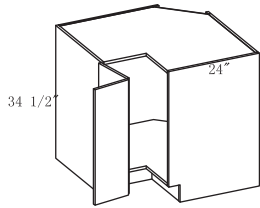
BASE CABINET			
	Item Code	W" × H" × D"	NOTE
	B12	12 × 34 1/2 × 24	
	B15	15 × 34 1/2 × 24	
	B18	18 × 34 1/2 × 24	
	B21	21 × 34 1/2 × 24	
TRASH CAN BASE CABINET			
	Item Code	W" × H" × D"	NOTE
	BTC18	18 × 34 1/2 × 24	
Trash bin option			
BASE CABINET			
	Item Code	W" × H" × D"	NOTE
	B24	24 × 34 1/2 × 24	
	B27	27 × 34 1/2 × 24	
	B30	30 × 34 1/2 × 24	
	B33	33 × 34 1/2 × 24	
	B36	36 × 34 1/2 × 24	
SINK BASE CABINET			
	Item Code	W" × H" × D"	NOTE
	SB30	30 × 34 1/2 × 24	
	SB33	33 × 34 1/2 × 24	
	SB36	36 × 34 1/2 × 24	
	SB42	42 × 34 1/2 × 24	
FARM SINK BASE CABINET			
	Item Code	W" × H" × D"	NOTE
	FSB36	36 × 34 1/2 × 24	

FARM SINK BASE CABINET



Item Code	W" × H" × D"	NOTE
VKD240621	24 × 6 × 21	
VKD300621	30 × 6 × 21	

BASE LAZY SUSAN CABINET

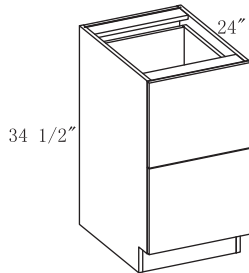


Item Code	W" × H" × D"	NOTE
BLS33	33 × 34 1/2 × 24	
BLS36	36 × 34 1/2 × 24	

Optional different lazy susan

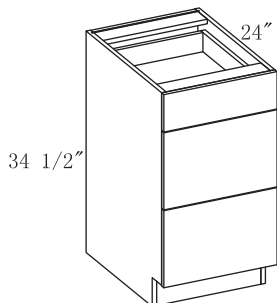


DRAWERS BASE CABINET



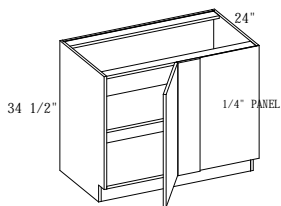
Item Code	W" × H" × D"	NOTE
2DB24	24 × 34 1/2 × 24	
2DB27	27 × 34 1/2 × 24	
2DB30	30 × 34 1/2 × 24	
2DB36	36 × 34 1/2 × 24	

DRAWERS BASE CABINET



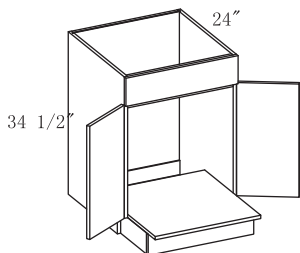
Item Code	W" × H" × D"	NOTE
3DB12	12 × 34 1/2 × 24	
3DB15	15 × 34 1/2 × 24	
3DB18	18 × 34 1/2 × 24	
3DB21	21 × 34 1/2 × 24	
3DB24	24 × 34 1/2 × 24	
3DB27	27 × 34 1/2 × 24	
3DB30	30 × 34 1/2 × 24	
3DB36	36 × 34 1/2 × 24	

BASE BLIND CORNER CABINET



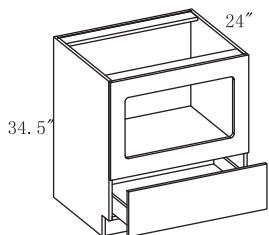
Item Code	W" × H" × D"	NOTE
BBC36 L/R	36 × 34 1/2 × 24	
BBC42 L/R	42 × 34 1/2 × 24	

REMOVABLE SINK BASE CABINET



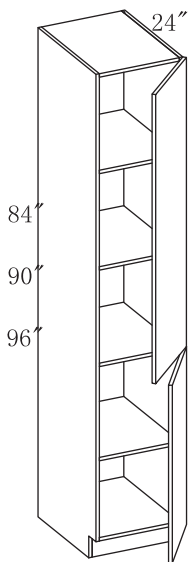
Item Code	W" × H" × D"	NOTE
SB33REM	33 × 34 1/2 × 24	
SB36REM	36 × 34 1/2 × 24	

OVEN BASE CABINET



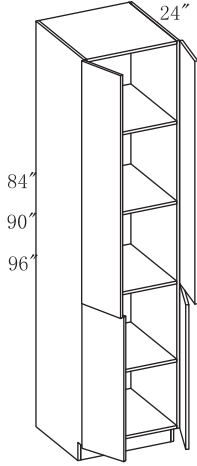
Item Code	W" × H" × D"	NOTE
MB30	30 × 34 1/2 × 24	

PANTRY CABINET



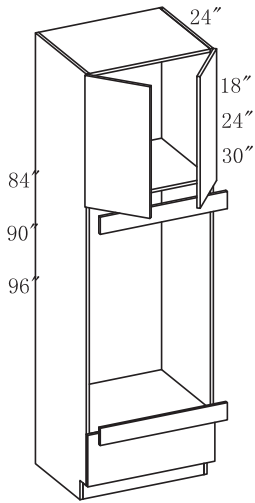
Item Code	W" × H" × D"	NOTE
PC1584	15 × 84 × 24	
PC1590	15 × 90 × 24	
PC1596	15 × 96 × 24	
PC1884	18 × 84 × 24	
PC1890	18 × 90 × 24	
PC1896	18 × 96 × 24	

PANTRY CABINET



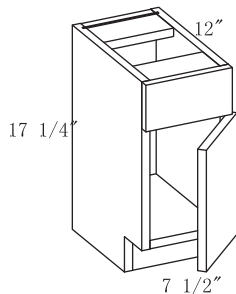
Item Code	W" × H" × D"	NOTE
PC2484	24 × 84 × 24	
PC2490	24 × 90 × 24	
PC2496	24 × 96 × 24	
PC3084	30 × 84 × 24	
PC3090	30 × 90 × 24	
PC3096	30 × 96 × 24	

MICROWAVE/DOUBLE OVEN TALL CABINET



Item Code	W" × H" × D"	NOTE
MOC3084	30 X 84 X 24	
MOC3090	30 X 90 X 24	
MOC3096	30 X 96 X 24	

MINI CABINET

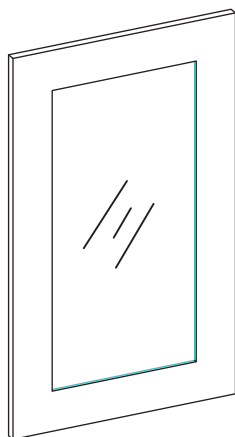


Item Code	W" × H" × D"	NOTE
MINI CABINET	7 1/2 x 17 1/4 x 12	

Sample cabinet

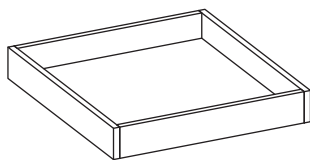
ACCESSORY

GLASS DOOR



Item Code	W" × H"	NOTE
WMD1230	12x30	
WMD1236	12x36	
WMD1242	12x42	
WMD1530	15x30	
WMD1536	15x36	
WMD1542	15x42	
WMD1830	18x30	
WMD1836	18x36	
WMD1842	18x42	
WMD2130	21x30	
WMD2136	21x36	
WMD2142	21x42	
WMD2730	27x30	
WMD2736	27x36	
WMD2742	27x42	
WDCMD2430	24x30	
WDCMD2436	24x36	
WDCMD2442	24x42	

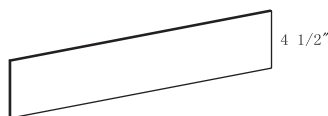
ROLL OUT TRAY



Item Code	W" × H" × D"	NOTE
ROT15-H	15x3 6/8x19 5/8	
ROT18-H	18x3 6/8x19 5/8	
ROT21-H	21x3 6/8x19 5/8	
ROT24-H	24x3 6/8x19 5/8	
ROT27-H	27x3 6/8x19 5/8	
ROT30-H	30x3 6/8x19 5/8	
ROT33-H	33x3 6/8x19 5/8	
ROT36-H	36x3 6/8x19 5/8	

Solid wood drawer

TOE KICK (96")



Item Code	W" × H" × D"	NOTE
TK8 1/4	96 × 4 1/2 × 1/4	

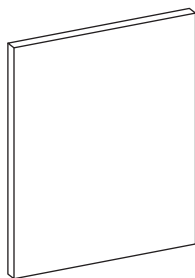
FILLER



WF/BF/TF

Item Code	W" × H" × D"	NOTE
BF/WF330	3 × 30 × 3/4	
WF336	3 × 36 × 3/4	
WF342	3 × 42 × 3/4	
TF396	3 × 96 × 3/4	
BF/WF630	6 × 30 × 3/4	
WF636	6 × 36 × 3/4	
WF642	6 × 42 × 3/4	
TF696	6 × 96 × 3/4	

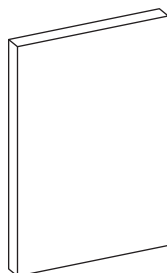
END PANEL



WEP/BEP/TEP/IP

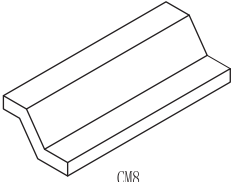
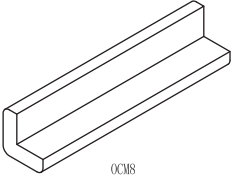
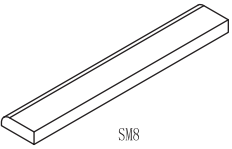
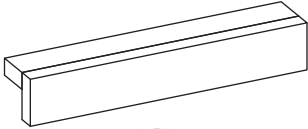
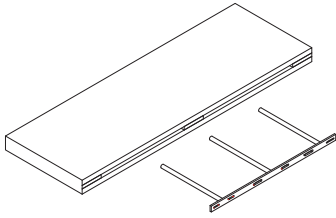
Item Code	W" × H" × D"	NOTE
VEP21		
WEP1330	13 3/4 × 30 × 3/4	
WEP1336	13 3/4 × 36 × 3/4	
WEP1342	13 3/4 × 42 × 3/4	
BEP24	24 3/4 × 34 1/2 × 3/4	
BEP21	21 3/4 × 34 1/2 × 3/4	
TEP8424	24 3/4 × 84 × 3/4	
TEP9024	24 3/4 × 90 × 3/4	
TEP9624	24 3/4 × 96 × 3/4	
IP9634 1/2	34 1/2 × 96 × 3/4	
REF9624	96 × 24 × 3/4	
REF9634	96 × 34 × 3/4	
REF9636	96 × 36 × 3/4	
IP9648	96 × 48 × 3/4	

SAMPLE DOOR



SAMPLE DOOR

Item Code	W" × H" × D"	NOTE
SAMPLE DOOR	6 × 6 × 3/4	
SAMPLE DOOR	11 × 15 × 3/4	

Crown Moulding			
 <p>CM8</p>	Item Code	W" × H" × D"	NOTE
	CM8	2 1/2 X 4 1/2 X 96	
 <p>OCM8</p>	Item Code	W" × H" × D"	NOTE
	OCM8	1 1/4 X 1 1/4 X 96	
 <p>SM8</p>	Item Code	W" × H" × D"	NOTE
	SM8	3/4 X 1/4 X 96	
 <p>LRM</p>	Item Code		
	LRM 8		
 <p>FS</p>	Item Code	W" × H" × D"	NOTE
	DWR3		
	FS24	24 × 13" × 2"	
	FS30	30 × 13" × 2"	
	FS36	36 × 13" × 2"	



Two built-in stainless steel ovens are stacked vertically within the dark wood cabinetry. The upper oven has a digital display and control panel. Below it is a second oven, also with a digital display. A small white and blue decorative object sits on the countertop in front of the lower oven.

The kitchen backsplash is made of light-colored, textured stone tiles. A stainless steel sink with a modern faucet is set into the granite countertop. To the right of the sink, there is a wooden cutting board with a knife, a green bottle of beer, and a book titled 'TORONTO COOKS'.

Four pendant lights with clear glass shades and metal housings hang from a long, dark metal track on the ceiling. The lights are illuminated, casting a warm glow over the kitchen area.

Three grey leather bar stools with silver metal frames are positioned around the granite countertop breakfast bar. The stools have a modern, curved design. The countertop is a speckled granite, and the bar is illuminated from below.









VANITY CABINET

production information

Material: CARB P2&EPA 18mm particle board (650-700kg/m³)/plywood

Surface&back:0.02mm melamine

Edge banding:1mm PVC same color edge banding

Doors: can be PVC thermfoil door,5pcs shaker,PET door,melamine door

Feature:

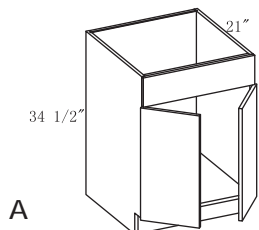
- 1、Moisture-proof, environmental material ,acid and alkali resistance
Anti-yellowing,anti-scratch, no color difference between and two doors
- 2、 Popular European brand Impress color ,texture surface
- 3、 Vivid color, realistic finger feeling
- 4、 Modern,simple,understated luxury

VANITY CABINET

CABINET SPECIFICATION

DIMENSION

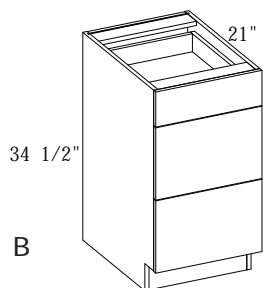
VANITY SINK BASE CABINET



A

Item Code	W" × H" × D"	NOTE
VSB24	24 × 34 1/2 × 21	
VSB30	30 × 34 1/2 × 21	
VSB36	36 × 34 1/2 × 21	
VSB27	27 × 34 1/2 × 21	

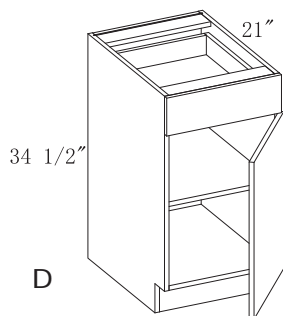
VANITY DRAWERS BASE CABINET



B

Item Code	W" × H" × D"	NOTE
3VDB12	12 × 34 1/2 × 21	
3VDB15	15 × 34 1/2 × 21	
3VDB18	18 × 34 1/2 × 21	
3VDB21	21 × 34 1/2 × 21	

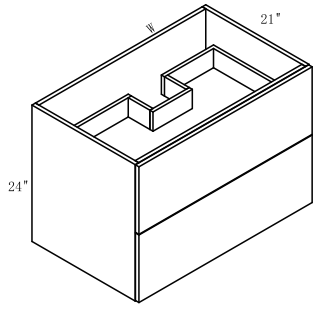
VANITY BASE CABINET



D

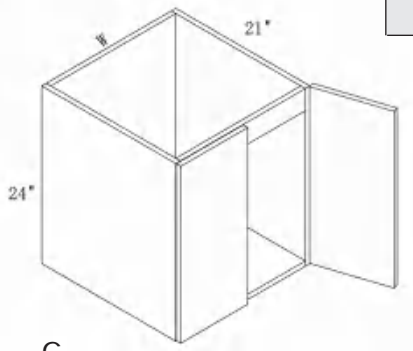
Item Code	W" × H" × D"	NOTE
VB12	12 × 34 1/2 × 21	
VB15	15 × 34 1/2 × 21	
VB18	18 × 34 1/2 × 21	

FVSD

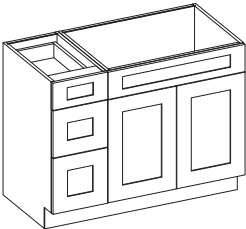
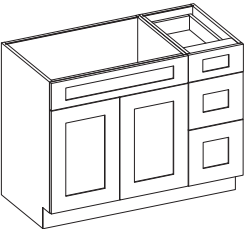
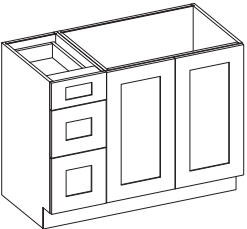
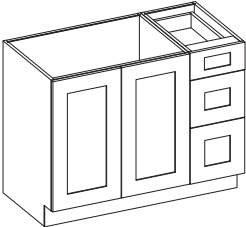
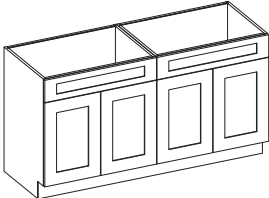
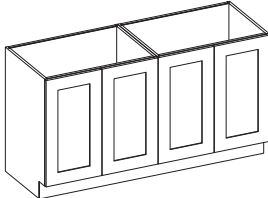
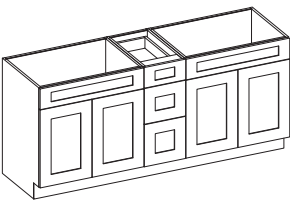
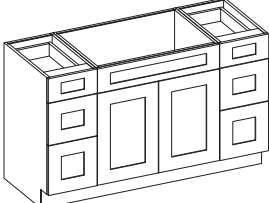
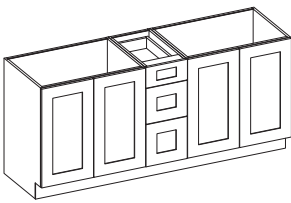
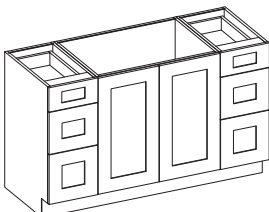
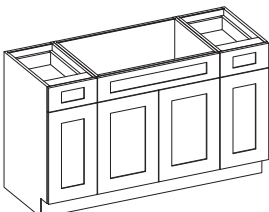
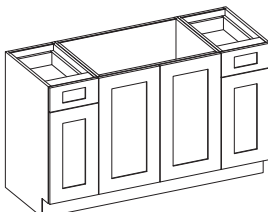


Item Code	W" × H" × D"	NOTE
FVSD12	12 × 24 × 21	
FVSD15	15 × 24 × 21	
FVSD18	18 × 24 × 21	
FVSD21	21 × 24 × 21	
FVSD24	24 × 24 × 21	
FVSD30	30 × 24 × 21	
FVSD36	36 × 24 × 21	

FVSB



Item Code	W" × H" × D"	NOTE
FVSB24	24 × 24 × 21	
FVSB30	30 × 24 × 21	
FVSB36	36 × 24 × 21	

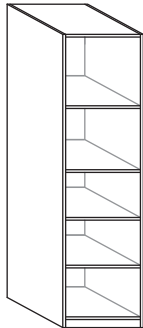
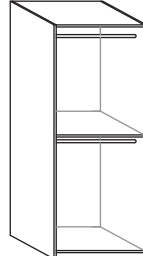
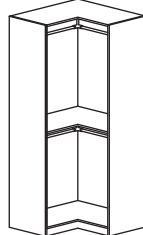

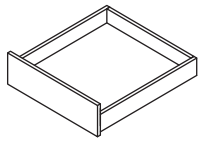
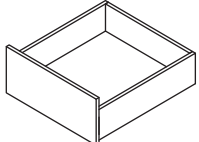
 <p>VAB36 VAB39 VAB42 VAB45 VAB48 VAB51 VAB54</p> <p>A+B</p>	 <p>VBA36 VBA39 VBA42 VBA45 VBA48 VBA51 VBA54</p> <p>B+A</p>	 <p>VBC42 VBC45 VBC48 VBC51 VBC54 VBC57 VBC60</p> <p>B+C</p>
 <p>VCB42 VCB45 VCB48 VCB51 VCB54 VCB57 VCB60</p> <p>C+B</p>	 <p>VAA48 VAA54 VAA60 VAA66 VAA72</p> <p>A+A</p>	 <p>VCC60 VCC63 VCC66 VCC69 VCC72 VCC75 VCC78 VCC84</p> <p>C+C</p>
 <p>VABA60 VABA63 VABA66 VABA72 VABA75 VABA78 VABA84 VABA87 VABA90</p> <p>A+B+A</p>	 <p>VBAB48 VBAB54 VBAB60 VBAB66 VBAB72</p> <p>B+A+B</p>	 <p>VCBC84 VCBC90 VCBC96 VCBC102 VCBC108 VCBC114 VCBC120</p> <p>C+B+C</p>
 <p>VBCB54 VBCB57 VBCB60 VBCB63 VBCB66 VBCB69 VBCB72 VBCB78</p> <p>B+C+B</p>	 <p>VDAD48 VDAD54 VDAD60 VDAD66 VDAD72</p> <p>D+A+D</p>	 <p>VDCD54 VDCD57 VDCD60 VDCD63 VDCD66 VDCD69 VDCD72 VDCD78</p> <p>D+C+D</p>


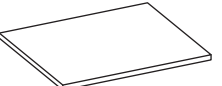
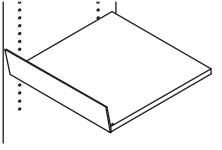






CLOSET

- 1、 Standard closet combination
- 2、 RTA (Ready to assemble) cabinet
- 3、 3/4" melamine particle board box , two color options light and dark grey
- 4、 Full depth adjustable shelf with 4 sides edge banding
- 5、 5/8" drawer box ,same as carcass
- 6、 Full extension undermount slide
- 7、 CARB P II & EPA

CLOSET

NO.	UNIT		ITEM	W	D	H	NOTE
1	SHELVES CLOSET		CP18	18	15	84	
			CP21	21	15	84	
			CP24	24	15	84	
			CP30	30	15	84	
			CP36	36	15	84	
			CP21D	21	24	84	
			CP24D	24	24	84	
			CP30D	30	24	84	
			CP36D	36	24	84	
2	CLOTHES RAIL CLOSET		CP30H	30	15	84	
			CP36H	36	15	84	
			CP30HD	30	24	84	
			CP36HD	36	24	84	
3	CORNER CLOSET		CPER30	30	15	84	
			CPER36	36	24	84	
	FILLER		TF396	3	3/4	96	
4	CLOTHES RAIL		HR24	24	3/4	1 1/2	
			HR30	30	3/4	1 1/2	
			HR36	36	3/4	1 1/2	
5	DRAWER		DR21DN	21	24	6 19/64	
			DR24DN	24	24	6 19/64	
			DR30DN	30	24	6 19/64	
			DR21DH	21	24	12 19/32	
			DR24DH	24	24	12 19/32	
			DR30DH	30	24	12 19/32	

6	ADJUSTABLE SHELF 15"D		AS18	18	15	3/4	
			AS21	21	15	3/4	
			AS24	24	15	3/4	
			AS30	30	15	3/4	
			AS36	36	15	3/4	
7	ADJUSTABLE SHELF 24"D		AS18	18	24	3/4	
			AS21	21	24	3/4	
			AS24	24	24	3/4	
			AS30	30	24	3/4	
			AS36	36	24	3/4	
8	SHOE RACK		SR24	24	15	1 1/2	
			SR30	30	15	1 1/2	
			SR36	36	15	1 1/2	
9	TROUSERS RACK		TR30	30	24	1 1/2	
			TR36	36	24	1 1/2	
10	CLOTHES BASKET		BK30	30	24	12	
			BK36	36	24	12	
11	STORAGE DRAWER		OD30	30	24	3	
			OD36	36	24	3	
12	MIRROR		MR1536	15	15	36	

HONSOAR HARDWARE ACCESSORIES



HONSOAR HARDWARE

HONSOAR®

DS01



Epoxy Coated Drawer Track

DS02



Metabox Epoxy Coated Drawer Track

DS03



Ball Bearing Drawer Track (soft/no-soft)

DS04



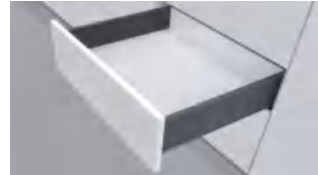
Undermount Drawer Track

DS05



Double-Wall Drawer Track

DS06



Magic-Pro Drawer Track

H01



110° soft-close hinge

H02



160° soft-close hinge

H03



135° soft-close hinge

H04



90° soft-close hinge

H05



45° soft-close hinge

H06



30° soft-close hinge

LU01



Long Gas Support
Cabinet Hinge
Safety Lift Support

LU02



RANDOM STAY Lid
Support

BLU03/DLU04



lift systems

SS01



Plastic Bracket style Shelf Support

SS02/SS03



Cylindrical Shaped Shelf Support

SS04



Osculum Type Shelf Support

Honsoar Hardware

HONSOAR KITCHEN ACCESSORIES

270° Lazy Susan



Item No,	Cabinet	(W×D×H)	Carton	Name
333000200003	BLS33 BLS36	φ686*H (620-720)	1Set/PC	Solid wood with UV painting

Spice Rack



Item No,	Cabinet	(W×D×H)	Carton	Name
333000900005	BSR12	243*505*582mm	1Set/PC	Solid wood
333000900006	BSR09	167*505*582mm	1Set/PC	
333000900007	BSR06	90*505*582mm	1Set/PC	

Trash Bin



Item No,	Cabinet	(W×D×H)	Carton	Name
8090003	BTC15 BTC18	250*455*350mm	1Set/PC	


Lazy Susan (with non-slip mat)




SKU	Cabinet	(W×D×H)	Carton	Name
1020051(Left)	BBC36-42	828*500* (620-720)mm	1Set/PC	
1020052(Right)	BBC36-42	828*500* (620-720)mm	1Set/PC	

HONSOAR KITCHEN ACCESSORIES


Lazy Susan (without skid pads)

	SKU	Cabinet	(W×D×H)	Carton	Name
	1020031B(Left)	BBC36-42	828*500* (620-720)mm	1Set/PC	Dark grey color
	1020032B(Right)	BBC36-42	828*500* (620-720)mm	1Set/PC	+dark grey bottom


Lazy Susan (without skid pads)

	SKU	Cabinet	(W×D×H)	Carton	Name
	1020041(Left)	BBC36-42	828*500* (620-720)mm	1Set/PC	Silver color wire +
	1020042(Right)	BBC36-42	828*500* (620-720)mm	1Set/PC	white color bottom

270° Lazy Susan

	SKU	Cabinet	(W×D×H)	Carton	Name
	1030053	BLS33 BLS36	φ710*H (620-720)	1Set/PC	Silver color wire + grey color bottom

180° Lazy Susan

	SKU	Cabinet	(W×D×H)	Carton	Name
	1030054	BBC36-42	744*404* (620-720)	1Set/PC	Silver color wire + grey color bottom

HONSOAR KITCHEN ACCESSORIES

270° Lazy Susan



SKU	Cabinet	(W×D×H)	Carton	Name
1030033B	BLS33 BLS36	φ710*H (620-720)	1Set/PC	Dark grey color + dark grey bottom

180° Lazy Susan



SKU	Cabinet	(W×D×H)	Carton	Name
1030034B	BBC36-42	744*404* (620-720)	1Set/PC	Dark grey color + dark grey bottom

270° Lazy Susan



SKU	Cabinet	(W×D×H)	Carton	Name
1030043	BLS33 BLS36	φ710*H (620-720)	1Set/PC	Silver color wire + white color bottom

180° Lazy Susan



SKU	Cabinet	(W×D×H)	Carton	Name
1030044	BBC36-42	744*404* (620-720)	1Set/PC	Silver color wire + white color bottom

HONSOAR KITCHEN ACCESSORIES

HONSOAR®

Pantry Pull-out



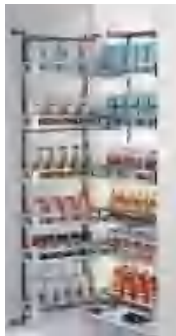
SKU	Cabinet	(W×D×H)	Carton	Name
2020071A	PC1884		1Set/2PC	Glass fence+ grey bottom
2020072A	PC1890		1Set/2PC	
2020073A	PC1896		1Set/2PC	
2020074A	PC2484		1Set/2PC	
2020075A	PC2490		1Set/2PC	
2020076A	PC2496		1Set/2PC	

Pantry Pull-out



SKU	Cabinet	(W×D×H)	Carton	Name
2020011	PC1884		1Set/2PC	Stainless fence+ grey bottom
2020012	PC1890		1Set/2PC	
2020013	PC1896		1Set/2PC	
2020014	PC2484		1Set/2PC	
2020015	PC2490		1Set/2PC	
2020016	PC2496		1Set/2PC	

Pantry Pull-out



SKU	Cabinet	(W×D×H)	Carton	Name
2020051	PC1884		1Set/2PC	Silver color wire + grey color bottom
2020052	PC1890		1Set/2PC	
2020053	PC1896		1Set/2PC	
2020054	PC2484		1Set/2PC	
2020055	PC2490		1Set/2PC	
2020056	PC2496		1Set/2PC	

Pantry Pull-out



SKU	Cabinet	(W×D×H)	Carton	Name
2030071A	450mm	405*500*1430+	1PC/Set	Glass fence/Silver color fence+ grey bottom
2030073A	600mm	555*500*1430+	1PC/Set	
2030072A	450mm	405*500*1780+	1PC/Set	
2030074A	600mm	555*500*1780+	1PC/Set	

Honsoar Kitchen Accessories

HONSOAR KITCHEN ACCESSORIES

Spice Rack



SKU	Cabinet	(W×D×H)	Carton	Name
3013002	BSR12	250*450*490mm	1Set/PC	Stainless steel

Spice Rack



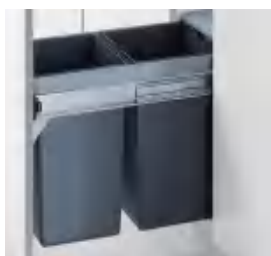
SKU	Cabinet	(W×D×H)	Carton	Name
3012001	BSR09	155*450*490mm	1Set/PC	Stainless steel

Spice Rack



SKU	Cabinet	(W×D×H)	Carton	Name
3011501	BSR06	105*450*490mm	1Set/PC	Stainless steel

Trash bin



SKU	Cabinet	(W×D×H)	Carton	Name
3090003	BTC15 BTC18	250*455*355mm	1Set/PC	Not assemble on the door
3090004	BTC15 BTC18	250*455*355mm	1Set/PC	

HONSOAR®

Honsoar Kitchen Accessories

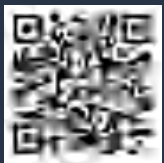


Mo	Tu	We	Th	Fr	Sa	Su
----	----	----	----	----	----	----

MEMO NO _____

DATE / /

HONSOAR[®]



Location: USA · Malaysia · Cambodia · China

www.honsoarhome.com

202301 version